

***ANTEMIE SRL BRASOV***



***COMPANY PRESENTATION***

# *Scope of bussiness*

- machining services in connection with both unique and mass-production parts,
- design and implementation of automation solutions, from concept through commissioning,
- steel, stainless steel and aluminum fabrications,
- cutting and sewing of industrial textiles.

References: AUTOLIV ROMANIA, AMANN ROMANIA, LOSAN ROMANIA, HORIZON GLOBAL GROUP, EDS ROMANIA, NBHX ROLEM, URSUS, RAP GROUP, CARFIL SA.

- ISO 9001 Certification

# *Departments*

1. Metal cutting department - traditional equipment;
2. CNC metal cutting department;
3. Welding department;
4. Industrial textiles cutting/sewing department;
5. Industrial automation design and implementation department.

# Equipment

## CNC metal cutting department



# Equipment



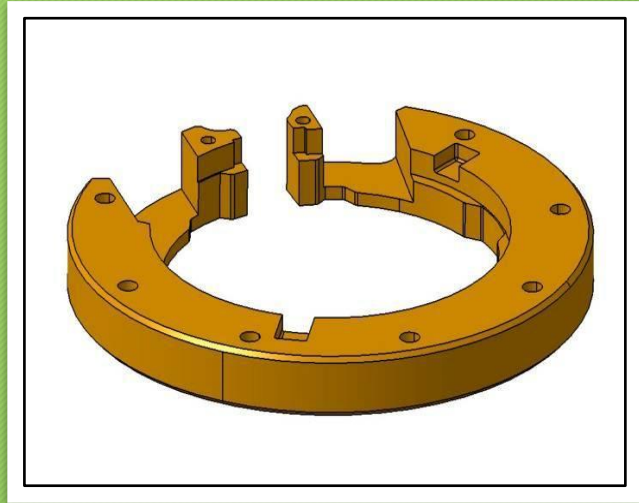
# *Brief product presentation*

*Metal cutting department, traditional equipment and welding department*



# *Brief product presentation*

## *CNC metal cutting department*



# *Brief product presentation*

*Industrial textiles cutting/sewing department*





# *Brief product presentation*

*Industrial automation design and  
implementation department*



***Thank You!***

*WebSite: [www.antemie.ro](http://www.antemie.ro)*

*E-mail: [simona.antemie@antemie.ro](mailto:simona.antemie@antemie.ro)*